



衡 阳 华 菱 钢 管 有 限 公 司

**HENGYANG VALIN STEEL TUBE CO., LTD.**

TEL: +86 734 887 3520

FAX: +86 734 887 3739

10 DALIXINCUN, HENG YANG CITY, HUNAN, P.R. CHINA

### 4-1/2" OD 12.6 lb/ft. HSM-2 Tubing N80Q

#### PIPE

PLAIN END WEIGHT	WALL THICKNESS	INSIDE DIAMETER	DRIFT DIAMETER	PLAIN END AREA	LONGITUDINAL PLAIN END YIELD	INTERNAL YIELD	COLLAPSE PRESSURE
LB/FT	INCHES	INCHES	INCHES	SQ.INCHES	LB	PSI	PSI
12.60	0.271	3.958	3.833	3.600	288,000	8,430	7,500

#### CONNECTION DATA

#### TENSION

COUPLING OD	INSIDE DIAMETER	CIRITICAL AREA	LONGITUDINAL YIELD STRENGTH	PARTING LOAD
INCHES	INCHES	SQ.INCHES	LB	LB
5.200	3.912	5.766	461,280	576,600

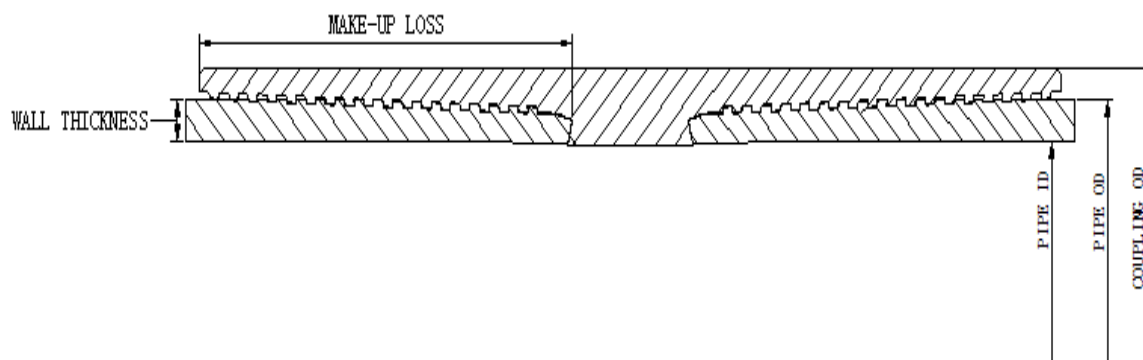
#### PRESSURE

LEAK RESISTANCE LIMIT	
INTERNAL	EXTERNAL
PSI	PSI
8,430	7,500

#### MAKE-UP TORQUE

#### TALLY COMPRESSION

MINIMUM	OPTIMUM	MAXIMUM	MINIMUM YIELD	MAKE-UP LOSS	COMPRESSION YIELD STRENGTH
FT-LB	FT-LB	FT-LB	FT-LB	INCHES	LB
4,220	4,660	5,100	9,320	3.305	288,000



HSM-2 TUBING  
CONNECTION



**7" OD 29.00 lb/ft. HSM-2 Casing N80Q**

**PIPE**

PLAIN END WEIGHT	WALL THICKNESS	INSIDE DIAMETER	DRIFT DIAMETER	PLAIN END AREA	LONGITUDINAL PLAIN END YIELD	INTERNAL YIELD	COLLAPSE PRESSURE
LB/FT	INCHES	INCHES	INCHES	SQ.INCHES	LB	PSI	PSI
29.00	0.408	6.184	6.059	8.449	676,000	8,160	7,030

**CONNECTION DATA**

**TENSION**

COUPLING OD	INSIDE DIAMETER	CIRITICAL AREA	LONGITUDINAL YIELD STRENGTH	PARTING LOAD
INCHES	INCHES	SQ.INCHES	LB	LB
7.656	6.324	8.778	702,300	877,880

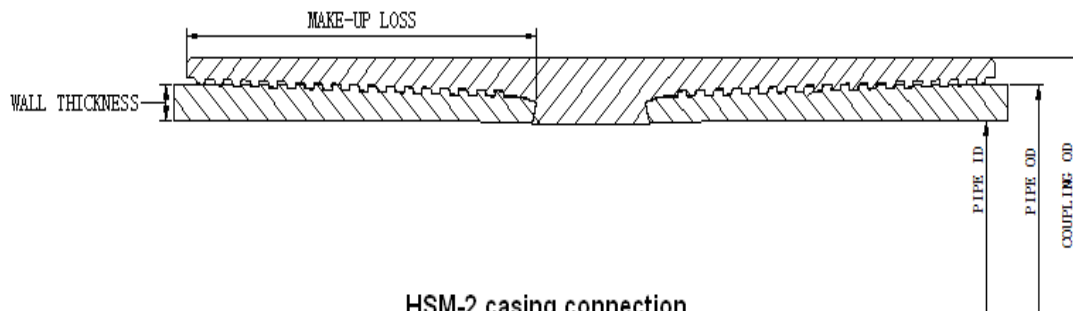
**PRESSURE**

LEAK RESISTANCE LIMIT	
INTERNAL	EXTERNAL
PSI	PSI
8,160	7,030

**MAKE-UP TORQUE**

**TALLY COMPRESSION**

MINIMUM	OPTIMUM	MAXIMUM	MINIMUM YIELD	MAKE-UP LOSS	COMPRESSION YIELD STRENGTH
FT-LB	FT-LB	FT-LB	FT-LB	INCHES	LB
8,780	9,740	10,700	19,480	4.876	405,600



**HSM-2 casing connection**



**9-5/8" OD 43.50 lb/ft. HSM-2 Casing N80Q**

**PIPE**

PLAIN END WEIGHT	WALL THICKNESS	INSIDE DIAMETER	DRIFT DIAMETER	PLAIN END AREA	LONGITUDINAL PLAIN END YIELD	INTERNAL YIELD	COLLAPSE PRESSURE
LB/FT	INCHES	INCHES	INCHES	SQ.INCHES	LB	PSI	PSI
43.50	0.435	8.755	8.599	12.559	1,005,000	6,330	3,810

**CONNECTION DATA**

**TENSION**

COUPLING OD	INSIDE DIAMETER	CIRITICAL AREA	LONGITUDINAL YIELD STRENGTH	PARTING LOAD
INCHES	INCHES	SQ.INCHES	LB	LB
10.625	8.924	17.620	1,409,990	1,762,480

**PRESSURE**

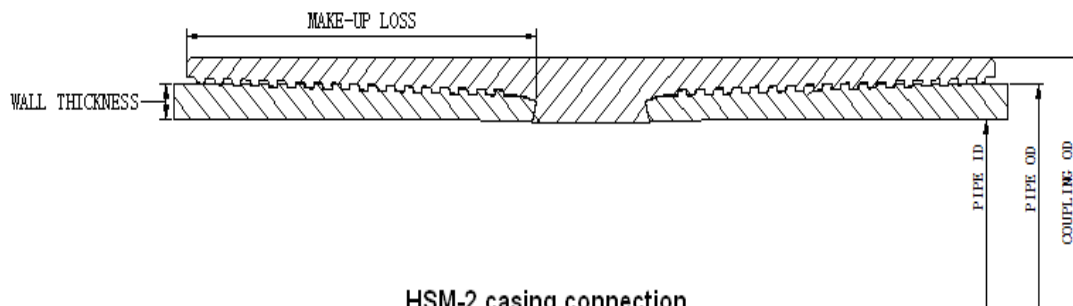
LEAK RESISTANCE LIMIT	
INTERNAL	EXTERNAL
PSI	PSI
6,330	3,810

**MAKE-UP TORQUE**

**TALLY**

**COMPRESSION**

MINIMUM	OPTIMUM	MAXIMUM	MINIMUM YIELD	MAKE-UP LOSS	COMPRESSION YIELD STRENGTH
FT-LB	FT-LB	FT-LB	FT-LB	INCHES	LB
12,100	13,420	14,750	26,840	5.715	603,000



**HSM-2 casing connection**



**13-3/8" OD 68.00 lb/ft. HSM-2 Casing N80Q**

**PIPE**

PLAIN END WEIGHT	WALL THICKNESS	INSIDE DIAMETER	DRIFT DIAMETER	PLAIN END AREA	LONGITUDINAL PLAIN END YIELD	INTERNAL YIELD	COLLAPSE PRESSURE
LB/FT	INCHES	INCHES	INCHES	SQ.INCHES	LB	PSI	PSI
68.00	0.480	12.415	12.259	19.445	1,556,000	5,020	2,260

**CONNECTION DATA**

**TENSION**

COUPLING OD	INSIDE DIAMETER	CIRITICAL AREA	LONGITUDINAL YIELD STRENGTH	PARTING LOAD
INCHES	INCHES	SQ.INCHES	LB	LB
14.375	12.623	24.335	1,947,300	2,434,120

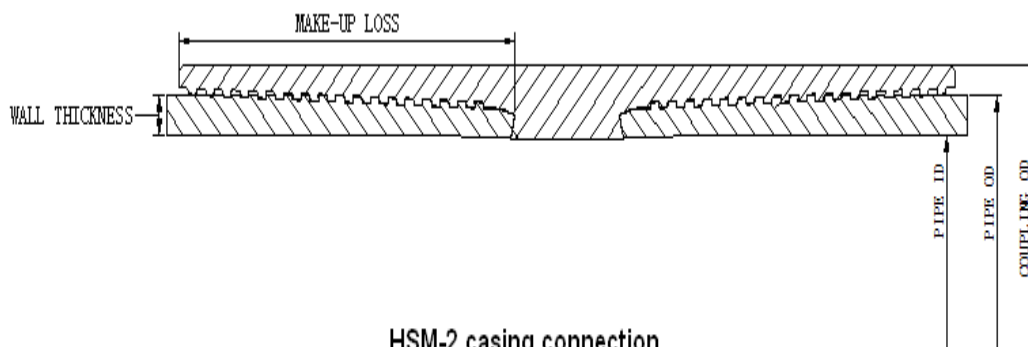
**PRESSURE**

LEAK RESISTANCE LIMIT	
INTERNAL	EXTERNAL
PSI	PSI
5,020	2,260

**MAKE-UP TORQUE**

**TALLY COMPRESSION**

MINIMUM	OPTIMUM	MAXIMUM	MINIMUM YIELD	MAKE-UP LOSS	COMPRESSION YIELD STRENGTH
FT-LB	FT-LB	FT-LB	FT-LB	INCHES	LB
21,240	23,530	25,820	47,060	5.823	933,600



**HSM-2 casing connection**



**7" OD 32.00 lb/ft. HSM-2 Casing P110**

**PIPE**

PLAIN END WEIGHT	WALL THICKNESS	INSIDE DIAMETER	DRIFT DIAMETER	PLAIN END AREA	LONGITUDINAL PLAIN END YIELD	INTERNAL YIELD	COLLAPSE PRESSURE
LB/FT	INCHES	INCHES	INCHES	SQ.INCHES	LB	PSI	PSI
32.00	0.453	6.094	5.968	9.317	1,025,000	12,460	10,780

**CONNECTION DATA**

**TENSION**

COUPLING OD	INSIDE DIAMETER	CIRITICAL AREA	LONGITUDINAL YIELD STRENGTH	PARTING LOAD
INCHES	INCHES	SQ.INCHES	LB	LB
7.717	6.241	9.512	1,046,450	1,189,150

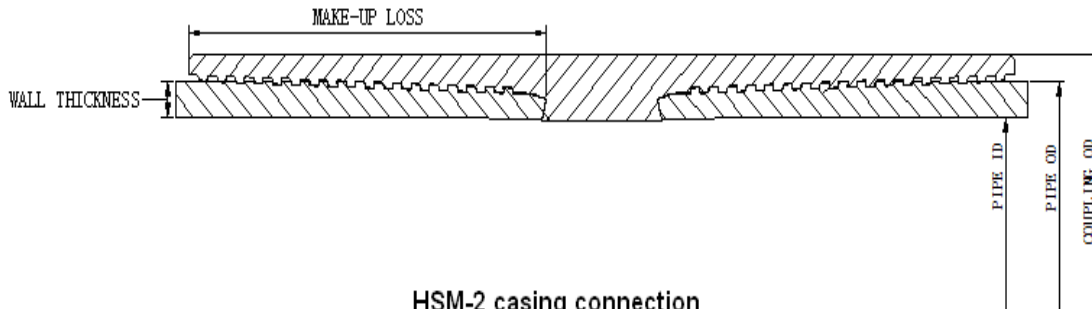
**PRESSURE**

LEAK RESISTANCE LIMIT	
INTERNAL	EXTERNAL
PSI	PSI
12,460	10,780

**MAKE-UP TORQUE**

**TALLY COMPRESSION**

MINIMUM	OPTIMUM	MAXIMUM	MINIMUM YIELD	MAKE-UP LOSS	COMPRESSION YIELD STRENGTH
FT-LB	FT-LB	FT-LB	FT-LB	INCHES	LB
12,690	14,090	15,490	28,180	4.876	615,000



HSM-2 casing connection



**9-5/8" OD 43.50 lb/ft. HSM-2 Casing P110**

**PIPE**

PLAIN END WEIGHT	WALL THICKNESS	INSIDE DIAMETER	DRIFT DIAMETER	PLAIN END AREA	LONGITUDINAL PLAIN END YIELD	INTERNAL YIELD	COLLAPSE PRESSURE
LB/FT	INCHES	INCHES	INCHES	SQ.INCHES	LB	PSI	PSI
43.50	0.435	8.755	8.599	12.559	1,381,000	8,700	4,410

**CONNECTION DATA**

**TENSION**

COUPLING OD	INSIDE DIAMETER	CIRITICAL AREA	LONGITUDINAL YIELD STRENGTH	PARTING LOAD
INCHES	INCHES	SQ.INCHES	LB	LB
10.625	8.924	17.620	1,937,510	2,201,720

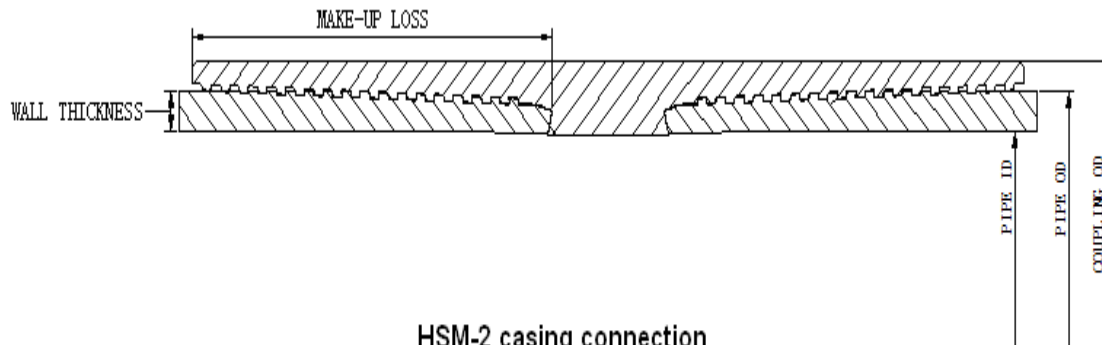
**PRESSURE**

LEAK RESISTANCE LIMIT	
INTERNAL	EXTERNAL
PSI	PSI
8,700	4,410

**MAKE-UP TORQUE**

**TALLY COMPRESSION**

MINIMUM	OPTIMUM	MAXIMUM	MINIMUM YIELD	MAKE-UP LOSS	COMPRESSION YIELD STRENGTH
FT-LB	FT-LB	FT-LB	FT-LB	INCHES	LB
14,680	16,300	17,920	32,600	5.715	828,600



HSM-2 casing connection



**13-3/8" OD 68.00 lb/ft. HSM-2 Casing P110**

**PIPE**

PLAIN END WEIGHT	WALL THICKNESS	INSIDE DIAMETER	DRIFT DIAMETER	PLAIN END AREA	LONGITUDINAL PLAIN END YIELD	INTERNAL YIELD	COLLAPSE PRESSURE
LB/FT	INCHES	INCHES	INCHES	SQ.INCHES	LB	PSI	PSI
68.00	0.480	12.415	12.259	19.445	2,139,000	6,910	2,330

**CONNECTION DATA**

**TENSION**

COUPLING OD	INSIDE DIAMETER	CIRITICAL AREA	LONGITUDINAL YIELD STRENGTH	PARTING LOAD
INCHES	INCHES	SQ.INCHES	LB	LB
14.375	12.623	24.335	2,676,910	3,041,940

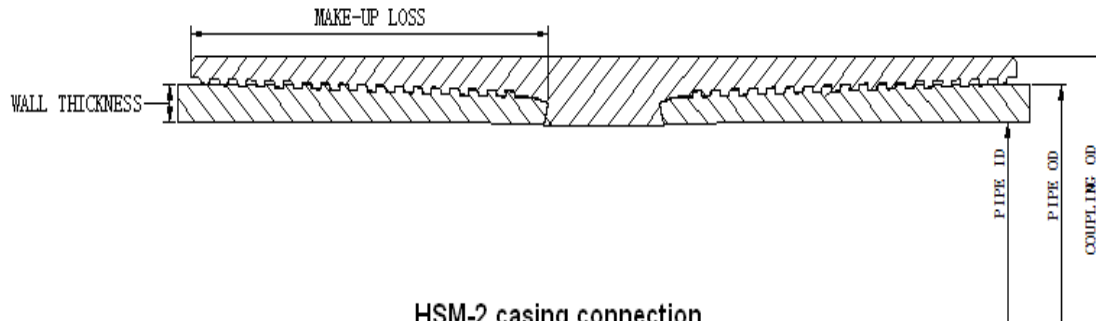
**PRESSURE**

LEAK RESISTANCE LIMIT	
INTERNAL	EXTERNAL
PSI	PSI
6,910	2,330

**MAKE-UP TORQUE**

**TALLY COMPRESSION**

MINIMUM	OPTIMUM	MAXIMUM	MINIMUM YIELD	MAKE-UP LOSS	COMPRESSION YIELD STRENGTH
FT-LB	FT-LB	FT-LB	FT-LB	INCHES	LB
21,240	23,530	25,820	47,060	5.823	1,283,400



**HSM-2 casing connection**