



衡 阳 华 菱 钢 管 有 限 公 司
HENGYANG VALIN STEEL TUBE CO., LTD.

TEL: +86 734 887 3520 FAX: +86 734 887 3739
10 DALIXINCUN, HENG YANG CITY, HUNAN , P.R. CHINA

衡阳华菱钢管有限公司

特殊螺纹接头油井管 HSM-2

HengYang Valin Steel Tube Co., Ltd.

OCTG with Premium Connection HSM-2

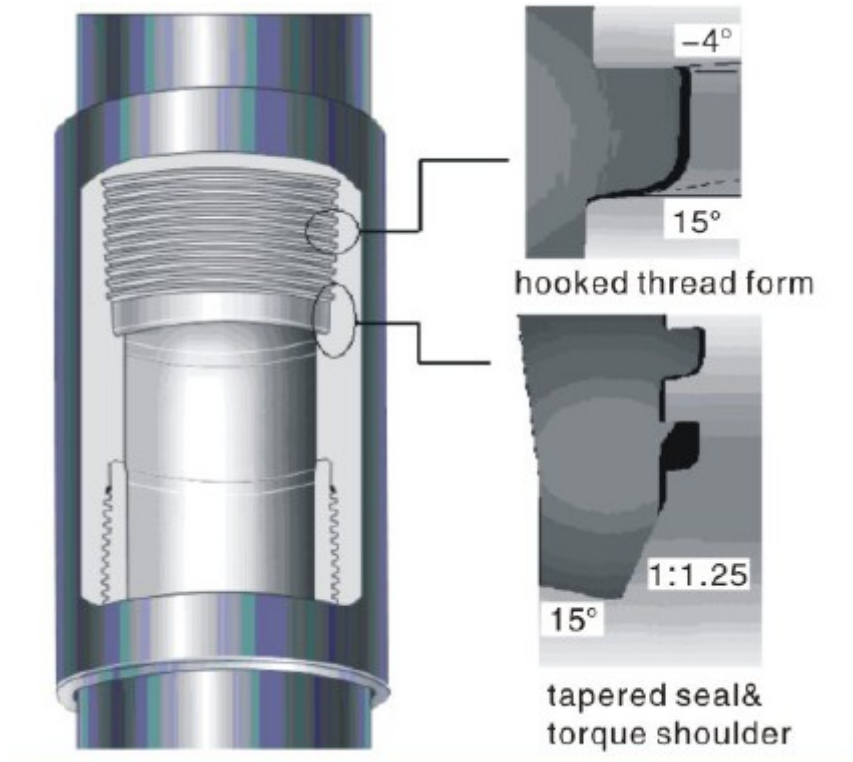


HSM-2 是一种高性能接箍式特殊螺纹接头，具有优良的密封性能和抗拉伸、弯曲和压缩性能。在复合或极限载荷条件下，仍能保证接头的结构完整性和密封完整性。产品定位于深井，超深井；大位移井，水平井等复杂工况。对于套管该扣型能承受连接拉伸载荷最低 100% 并且连接压缩载荷达到最低 60% 相当于管体强度，对于油管该扣型能承受连接拉伸载荷最低 100% 并且连接压缩载荷达到最低 100% 相当于管体强度。

产品规格范围：2-3/8" ~13-3/8" 。

HSM-2 is a threaded and coupled tubing and casing connection with extra gas tightness properties and excellent structural strength including the bending and compression resistance , especially suitable for use in highly deviated and long horizontal wells。HSM-2 connection can bear connection tensile load capacity minimum 100% & connection compression load capacity minimum 60% of the pipe body for Casing and HSM-2 connection can bear connection tensile load capacity minimum 100% & connection compression load capacity minimum 100% of the pipe body for Tubing。

size range: 2-3/8" ~13-3/8" 。



结构特征/Structure

- 接头采用接箍连接/coupled connection

(1) 连接强度达到或超过管体;

Coupling connection type, coupling critical cross sections greater than those of the pipe body, the connection strength meet or over that of pipe body;

- 采用勾形螺纹; /adoption of hooked thread

(1) 承载面负角提高了接头的拉伸和弯曲抗力。

-4° negative load flank prevents the possibility of thread jump-out. Increased tensile and bending capacity while maintaining gas tightness.

(2) 导向面正角有利于上扣, 不易错扣

positive angle for thread stabbing flank to fast make-up and resistance to cross threading;



(3) 优化的导向面间隙，提高接头的抗压缩性能。

Reduced gap between stabbing flanks on the pipe and coupling threads to increase resistance to damage from compressive loads.

(4) 母扣和公扣不同的齿高，齿底与齿顶间存在的间隙，可存贮部分多余螺纹脂；

Box and pin different thread height design, clearance between the pin thread crest and box thread root avoids the trapping of compound inside the threads.

- 锥面/锥面径向密封结构； /tapered metal-to-metal seal

(1) 优化的金属密封结构，足够的接触压力和接触长度，在复合载荷下仍具有优良的密封性能。

Radial metal-to-metal seal system offers excellent gas tightness even under the most severe combined loads.

(2) 多次上卸扣仍能保持密封完整性

Seal integrity not affected by multiple trips.

(3) 内压抗力可达到管体内屈服强度

Capable of resisting API pipe body internal pressure.

- 15°逆向扭矩台肩/15° Reverse Angle Torque Shoulder

(1) 上扣定位及提高接头的过扭矩能力；

15° internal torque shoulder provides positive stop controls position for multiple make-ups and effective protection against overtightening.

(2) 勾形螺纹和逆向台肩产生的楔形效应，在拉伸载荷下密封面仍保持足够的接触压力

The wedge effect created by the reverse angle and thread load flank gives the connection superior structural strength and maintain seal contact under high



tensile load.

- 管体内壁与接箍内壁平齐。/internal flush design

streamlined internal connection profile gives an excellent match between pin bore and coupling centre bore, turbulence, pressure losses and corrosion are reduced to a minimum.

性能特点/ Performance

- ① 优良的密封性能;
Excellent gas-tight sealing under combined loads.
- ② 优良的复合承载能力;
Excellent resistance to tensile,compression,bending and overtorquing
- ③ 优良的抗粘扣性能;
Excellent resistance to galling



续表 1 HSM-2 油管性能参数 Technical data of HSM-2 for Tubing

Table 1

1	2	3	4	5	6	7	8	9	10	11 12 13			
外径 OD In inch and mm	名义 重量 Weight lb/ft.	钢级 Grade KSI	壁厚 W.t mm	通径 Drift. D mm	上扣 损失 Make -up Loss mm	接箍 外径 C OD mm	抗挤强 度 Collaps e Mpa	最小内屈 服强度 Internal P Mpa	管体屈 服强度 Pipe Y kN	上扣扭矩 Torque			
										最小 Min	最佳 Opti	最大 Max	
										N-m			
2-3/8" 60.3 mm	4.60	55	4.83	48.27	63.70	73.02	55.9	53.1	323.4	1660	1700	1850	
		80					81.3	77.3	460.6	1790	1920	1980	
		90					91.4	87.0	519.4	1880	2060	2240	
		95					96.5	91.8	548.8				
		110					111.4	106.3	637.0	1970	2160	2350	
		125					123.6	120.8	725.2	2070	2270	2470	
	5.10	55	5.54	46.85		73.02	63.3	60.9	362.6	1920	2000	2080	
		80					92.0	88.7	529.2	2150	2240	2330	
		90					103.5	99.7	588.0	2230	2450	2670	
		95					109.3	105.3	627.2				
		110					126.5	121.9	725.2	2350	2580	2810	
		125					143.8	138.5	823.2	2410	2640	2870	
	5.80	55	6.45	45.03	75.05	73.02	72.4	71.0	411.6	2420	2530	2640	
		80					105.3	103.2	597.8	2570	2690	2810	
		90					118.5	116.1	676.2	2730	3000	3270	
		95					125.1	122.6	715.4				
		110					144.9	141.9	823.2	2940	3230	3520	
		125					164.6	161.3	940.8	3070	3380	3690	
	2-7/8" 73.0 mm	6.40	55	5.51	59.61	65.60	88.90	52.9	50.1	441.0	2380	2490	2600
			80					77.0	72.8	646.8	2560	2810	3060
			90					85.3	81.9	725.2	2730	3000	3270
			95					89.2	86.5	764.4			
			110					100.3	100.2	882.0	2810	3090	3370
			125					110.7	113.8	1009.4	2890	3180	3470
7.80		55	7.01	56.61	88.90		65.8	63.7	548.8	3240	3390	3540	
		80					95.7	92.7	803.6	3490	3850	4210	
		90					107.7	104.2	901.6	3910	4310	4710	
		95					113.7	110.0	950.6				
		110					131.6	127.4	1097.6	4130	4560	4990	
		125					149.6	144.8	1254.4	4360	4810	5260	
8.60		55	7.82	54.99	82.35	88.90	72.5	71.1	607.6	3700	3880	4060	
		80					105.5	103.4	882.0	4030	4440	4850	
		90					118.7	116.3	989.8	4480	4950	5420	
		95					125.3	122.8	1048.6				
		110					145.0	142.1	1215.2	4700	5200	5700	
		125					164.8	161.5	1381.8	5000	5500	6000	
9.80		55	9.19	52.25	88.90	83.4	83.5	695.8	4520	4740	4960		
		80				121.4	121.5	1019.2	5000	5500	6000		
		90				136.5	136.7	1146.6	5500	6100	6700		
		95				144.1	144.3	1205.4					
		110				166.9	167.0	1410.4	5800	6400	7000		
		125				189.6	189.8	1587.6	6100	6800	7500		



续表 1 HSM-2 油管性能参数 Technical data of HSM-2 for Tubing
Table 1 (continued)

1	2	3	4	5	6	7	8	9	10	11 12 13		
外径 OD In inch and mm	名义 重量 Weight lb/ft.	钢级 Grade KSI	壁厚 W.t mm	通径 Drift.D mm	上扣损 失 Make-up Loss mm	接箍 外径 C OD mm	抗挤强 度 Collapse Mpa	最小内 屈服强 度 Internal P Mpa	管体屈 服强度 Pipe Y kN	上扣扭矩 Torque		
										最小 Min	最佳 Opti N-m	最大 Max
3-1/2" 88.9 mm	7.70	55	5.49	74.74	79.15	107.95	41.2	41.0	548.8	3060	3200	3340
		80					54.3	59.6	793.8	3050	3360	3670
		90					58.9	67.1	891.8	3180	3500	3820
		95					61.1	70.8	940.8			
		110					67.2	82.0	1087.8	3300	3630	3960
		125					72.5	93.1	1234.8	3490	3840	4190
	9.20	55	6.45	72.82		107.95	51.0	48.1	637.0	3860	4040	4220
		80					72.6	70.0	921.2	3840	4230	4620
		90					79.7	78.8	1038.8	3990	4400	4810
		95					83.2	83.2	1097.6			
		110					93.3	96.3	1264.2	4170	4600	5030
		125					102.6	109.4	1440.6	4400	4860	5320
	10.20	55	7.34	71.04		107.95	57.4	54.8	715.4	4640	4870	5100
		80					83.6	79.7	1038.8	4620	5120	5620
		90					94.0	89.7	1166.2	4800	5300	5800
		95					99.2	94.6	1234.8			
		110					114.9	109.6	1421.0	5100	5600	6100
		125					130.6	124.5	1617.0	5300	5900	6500
	12.70	55	9.53	66.68		107.95	72.5	71.1	901.6	6550	6900	7250
		80					105.5	103.4	1313.2	7000	7800	8600
		90					118.7	116.3	1470.0	7500	8300	9100
		95					125.3	122.7	1558.2			
		110					145.0	142.1	1803.2	7800	8600	9400
		125					164.8	161.5	2048.2	8000	8900	9800
	13.70	55	10.50	64.72		107.95	79.0	78.4	980.0	7350	7700	8050
		80					114.9	114.0	1421.0	7900	8800	9700
		90					129.3	128.3	1607.2	8500	9400	10300
		95					136.5	135.4	1695.4			
		110					158.0	156.8	1960.0	8800	9700	10600
		125					179.5	178.1	2224.6	9000	10000	11000
14.70	55	11.40	62.88	107.95	84.9	85.2	1048.6	8000	8400	8800		
	80				123.5	124.0	1528.8	8700	9600	10500		
	90				138.9	139.5	1724.8	9400	10400	11400		
	95				146.7	147.2	1822.8					
	110				169.8	170.5	2107.0	9700	10700	11700		
	125				193.0	193.7	2391.2	10000	11100	12200		
15.50	55	12.09	61.54	110.35	107.95	89.1	90.2	1107.4	8450	8900	9350	
	80					129.6	131.3	1607.2	9300	10300	11300	
	90					145.8	147.7	1813.0	10200	11300	12400	
	95					153.9	155.9	1911.0				
	110					178.2	180.5	2214.8	10900	12100	13300	
	125					202.5	205.1	2508.8	11200	12400	13600	



续表 1 HSM-2 油管性能参数 Technical data of HSM-2 for Tubing
 Table 1 (continued)

1	2	3	4	5	6	7	8	9	10	11 12 13			
外径 OD In inch and mm	名义 重量 Weight lb/ft.	钢级 Grade KSI	壁厚 W.t mm	通径 Drift. D mm	上扣损 失 Make-u p Loss mm	接箍 外径 C OD mm	抗挤 强度 Collap e Mpa	最小内 屈服强 InternalP Mpa	管体屈 服强度 Pipe Y kN	上扣扭矩 Torque 最小 最佳 最大 Min Opti Max N-m			
4" 101.6 mm	9.50	55	5.74	86.94		120.65	35.2	37.5	656.6	3910	4100	4290	
		80					45.4	54.5	950.6	3900	4300	4700	
		90					48.8	61.4	1068.2	4060	4480	4900	
		95					50.4	64.8	1127.0				
		110					54.5	75.0	1313.2	4290	4730	5170	
		125					57.8	85.2	1489.6	4550	5020	5490	
	10.70	55	6.65	85.12		82.35	120.65	45.4	43.4	754.6	4870	5120	5370
		80						60.6	63.2	1097.6	4900	5400	5900
		90						66.1	71.1	1234.8	5100	5600	6100
		95						68.7	75.0	1293.6			
		110						76.1	86.9	1499.4	5300	5900	6500
		125						82.8	98.7	1705.2	5700	6300	6900
	13.20	55	8.38	81.66		104.75	120.65	57.4	54.7	931.0	6750	7100	7450
		80						83.5	79.6	1352.4	6700	7400	8100
		90						93.9	89.6	1519.0	7000	7700	8400
		95						99.1	94.5	1607.2			
		110						114.8	109.5	1862.0	7400	8200	9000
		125						130.4	124.4	2116.8	7900	8700	9500
	14.80	55	9.65	79.12		104.75	120.65	65.2	63.0	1058.4	8300	8700	9100
		80						94.8	91.7	1538.6	8800	9700	10600
		90						106.7	103.1	1724.8	9100	10100	11100
		95						112.6	108.9	1822.8			
		110						130.4	126.1	2116.8	9500	10500	11500
		125						148.2	143.3	2401.0	9700	10800	11900
16.50	55	10.92	76.58	104.75	120.65	72.8	71.3	1176.0	9700	10200	10700		
	80					105.8	103.7	1715.0	10400	11500	12600		
	90					119.1	116.7	1930.6	10700	11900	13100		
	95					125.7	123.2	2038.4					
	110					145.5	142.7	2361.8	11200	12400	13600		
	125					165.4	162.1	2675.4	11500	12800	14100		



续表 1 HSM-2 油管性能参数 Technical data of HSM-2 for Tubing
 Table 1 (continued)

1	2	3	4	5	6	7	8	9	10	11	12	13
外径 OD In inch and mm	名义 重量 Weight lb/ft.	钢级 Grade KSI	壁厚 W.t mm	通径 Drift D mm	上扣损 失 Make-up Loss mm	接箍 外径 C.O.D mm	抗挤 强度 Collapse Mpa	最小内 屈服强 度 Internal P Mpa	管体 屈服 强度 Pipe Y kN	上扣扭矩 Torque 最小 最佳 最大 Min Opti Max N-m		
4-1/2" 114.3mm	10.50	55	5.69	99.74	83.95	132.08	27.6	33.0	735.0	4230	4430	4640
		80					34.1	48.1	1068.2	4210	4650	5090
		90					35.9	54.1	1205.4	4560	5030	5500
		95					36.6	57.1	1274.0			
		110					38.3	66.1	1470.0	4900	5400	5900
		125					40.2	75.1	1675.8	5200	5800	6400
	11.60	55	6.35	98.42		132.08	34.2	36.9	813.4	4950	5200	5450
		80					43.8	53.6	1185.8	5100	5600	6100
		90					47.0	60.3	1332.8	5400	6000	6600
		95					48.4	63.7	1411.2			
		110					52.3	73.7	1636.6	5900	6500	7100
		125					55.2	83.8	1852.2	6200	6900	7600
	12.60	55	6.88	97.36		132.08	39.5	40.0	880.7	5050	5400	5650
		80					51.7	58.1	1281.1	5700	6300	6900
		90					56.0	65.4	1441.2	6100	6800	7500
		95					58.0	69.0	1521.3			
		110					63.5	79.9	1761.5	6600	7300	8000
		125					68.2	90.8	2001.7	7000	7800	8600
	13.50	55	7.37	96.38		132.08	44.3	42.8	940.8	6200	6500	6800
		80					59.0	62.2	1362.2	6300	7000	7700
		90					64.2	70.0	1538.6	6900	7600	8300
		95					66.7	73.9	1617.0			
		110					73.8	85.6	1871.8	7300	8100	8900
		125					80.1	97.2	2136.4	7900	8700	9500
	15.10	55	8.56	94.00		132.08	52.5	49.7	1078.0	7700	8100	8500
		80					76.4	72.3	1568.0	7800	8600	9400
		90					84.2	81.3	1764.0	8400	9300	10200
		95					88.0	85.8	1862.0			
		110					98.9	99.4	2156.0	9000	10000	11000
		125					109.2	113.0	2450.0	9700	10700	11700
		80					95.3	92.2	1950.2	11100	12300	13500
		90					107.2	103.7	2195.2	11900	13200	14500
		95					113.2	109.5	2322.6			
		110					131.1	126.8	2685.2	12700	14100	15500
		125					148.9	144.1	3057.6	13500	15000	16500



续表 2 HSM-2 套管性能参数 Technical data of HSM-2 for Casing
Table 2

1	2	3	4	5	6	7	8	9	10	11 12 13		
外径 OD In inch and mm	名义 重量 Weight lb/ft.	钢级 Grade KSI	壁厚 W.t mm	通径 Drift D mm	上扣损 失 Make-up Loss mm	接箍 外径 C.O.D mm	抗挤强 度 Collapse Mpa	最小内 屈服强 度 Internal P Mpa	管体 屈服 强度 Pipe Y kN	上扣扭矩 Torque 最小 最佳 最大 Min Opti Max N-m		
5" 127.0 mm	13.00	55	6.43	110.96	109.00	141.30	28.6	33.6	921.2	4560	5010	5460
		80					35.5	48.9	1342.6	5500	6100	6700
		90					37.5	55.0	1509.2	6300	6900	7500
		95					38.4	58.0	1597.4			
		110					40.4	67.2	1842.4	6700	7400	8100
		125					41.7	76.4	2097.2	7500	8300	9100
	15.00	55	7.52	108.78		141.30	38.3	39.3	1068.2	5800	6400	7000
		80					50.0	57.2	1558.2	6700	7400	8100
		90					54.0	64.3	1754.2	7500	8300	9100
		95					55.9	67.9	1852.2			
		110					61.1	78.6	2136.4	8400	9300	10200
		125					65.4	89.3	2430.4	9300	10300	11300
	18.00	55	9.19	105.44		141.5	50.9	48.0	1293.6	6700	7400	8100
		80					72.3	69.8	1871.8	7500	8300	9100
		90					79.4	78.6	2107.0	8000	8800	9600
		95					82.8	82.9	2224.6			
		110					92.8	96.0	2577.4	8900	9800	10700
		125					102.1	109.1	2930.2	9800	10800	11800
	20.30	55	10.36	103.10		143.5	56.8	54.1	1440.6	8000	8800	9600
		80					82.6	78.7	2097.2	9300	10300	11300
		90					93.0	88.6	2352.0	10200	11300	12400
		95					98.1	93.5	2498.2			
		110					113.6	108.3	2881.2	11600	12800	14000
		125					127.8	123.0	3273.2	12400	13700	15000
	20.80	55	10.72	102.38		144.00	58.6	56.0	1479.8	8400	9300	10200
		80					85.3	81.5	2156.0	10200	11300	12400
		90					95.9	91.7	2430.4	11100	12300	13500
		95					101.2	96.8	2567.6			
		110					117.2	112.0	2969.4	12400	13700	15000
		125					133.2	127.3	3371.2	13300	14700	16100
	21.40	55	11.10	101.60		144.5	60.5	58.1	1528.8	8900	9800	10700
		80					88.1	84.4	2234.4	10700	11800	12900
		90					99.1	95.0	2508.8	11900	13200	14500
		95					104.6	100.3	2646.0			
		110					121.1	116.1	3067.4	12800	14200	15600
		125					137.6	131.9	3479.0	13700	15200	16700
	23.20	55	12.14	99.54		146.0	65.6	63.4	1656.2	10200	11300	12400
		80					95.4	92.3	2410.8	12400	13700	15000
		90					107.3	103.8	2714.6	13300	14700	16100
		95					113.3	109.6	2871.4			
		110					131.1	126.9	3322.2	15100	16700	18300
		125					149.0	144.2	3773.0	16800	18600	20400
	24.10	55	12.70	98.42		147.0	68.3	66.4	1724.8	11300	12500	13700
		80					99.3	96.5	2508.8	13900	15400	16900
		90					111.7	108.6	2832.2	15400	17100	18800
		95					117.9	114.6	2989.0			
		110					136.5	132.7	3459.4	17100	18900	20700
		125					155.1	150.8	3929.8	18700	20700	22700



续表 2 HSM-2 套管性能参数 Technical data of HSM-2 for Casing
 Table 2 (continued)

1	2	3	4	5	6	7	8	9	10	11	12	13
外径 OD In inch and mm	名义 重量 Weight lb/ft.	钢级 Grade KSI	壁厚 Wt mm	通径 Drift D mm	上扣损 失 Make-up Loss mm	接箍 外径 C.O.D mm	抗挤强 度 Collapse Mpa	最小内 屈服强 度 Internal P Mpa	管体 屈服 强度 Pipe Y kN	上扣扭矩 Torque 最小 最佳 最大 Min Opti Max N-m		
5-1/2" 139.7 mm	15.50	55	6.99	122.56	113.85	153.67	27.8	33.2	1107.4	5400	5900	6400
		80					34.4	48.2	1607.2	6700	7400	8100
		90					7500	8300	9100	36.2	54.3	1803.2
		95								37.0	57.3	1901.2
		110								38.8	66.3	2205.0
		125								40.5	75.4	2508.8
	17.00	55	7.72	121.08		153.67	33.8	36.7	1215.2	5800	6400	7000
		80					43.3	53.3	1764.0	7200	7900	8600
		90					46.4	60.0	1989.4	8000	8800	9600
		95					47.8	63.3	2097.2			
		110					51.5	73.3	2430.4	8900	9800	10700
		125					54.4	83.3	2753.8	9800	10800	11800
	20.00	55	9.17	118.18		154.5	45.6	43.6	1421.0	7200	7900	8600
		80					60.9	63.4	2077.6	8400	9300	10200
		90					9300	10300	11300	66.4	71.3	2332.4
		95								69.1	75.2	2459.8
		110					76.6	87.1	2851.8	9800	10800	11800
		125					83.3	99.0	3234.0	10700	11800	12900
	23.00	55	10.54	115.44		156.5	52.9	50.1	1617.0	8900	9800	10700
		80					77.0	72.8	2361.8	10700	11800	12900
		90					85.3	81.9	2655.8	11600	12800	14000
		95					89.1	86.5	2802.8			
		110					100.2	100.1	3243.8	13300	14700	16100
		125					110.7	113.8	3684.8	14200	15700	17200
26.00	55	12.09	112.34	159.0	60.0	57.4	1832.6	11100	12300	13500		
	80				87.2	83.5	2675.4	13700	15200	16700		
	90				15100	16700	18300	98.1	94.0	3008.6		
	95							103.6	99.2	3175.2		
	110				119.9	114.9	3675.0	17200	19100	21000		
	125				136.3	130.5	4174.8	19000	21100	23200		



续表 2 HSM-2 套管性能参数 Technical data of HSM-2 for Casing
Table 2 (continued)

1	2	3	4	5	6	7	8	9	10	11	12	13			
外径 OD In inch and mm	名义 重量 Weight lb/ft.	钢级 Grade KSI	壁厚 W.t mm	通径 Drift D mm	上扣损 失 Make-up Loss mm	接箍 外径 C O.D mm	抗挤强 度 Collapse Mpa	最小内 屈服强 度 Internal P Mpa	管体 屈服 强度 Pipe Y kN	上扣扭矩 Torque 最小 最佳 最大 Min Opti Max N-m					
6-5/8" 168.3 mm	20.00	55	7.32	150.46	115.00	187.71	20.5	28.9	1401.4	6300	6900	7500			
		80					24.0	42.0	2038.4	8000	8800	9600			
		90					8900	9800	10700	25.5	47.2	2293.2	10200	11300	12400
		95								26.2	49.9	2420.6			
		110					838	148.34	187.71	27.8	57.7	2802.8	11100	12300	13500
		125								27.7	33.0	1597.4	6700	7400	8100
	55	8.94	147.22	187.71		34.1				48.1	2322.6	8400	9300	10200	
	80					35.9				54.1	2606.8	9300	10300	11300	
	90					36.7				57.1	2753.8				
	95					38.4				66.1	3194.8	10700	11800	12900	
	110					40.2	75.1	3626.0	11600	12800	14000				
	125					31.4	35.3	1695.4	7200	7900	8600				
	24.00	8.94	147.22	187.71		39.7	51.3	2469.6	8900	9800	10700				
						42.3	57.7	2773.4	9800	10800	11800				
						43.5	60.9	2930.2							
						46.4	70.5	3390.8	11100	12300	13500				
						48.4	80.1	3851.4	11900	13200	14500				
						42.5	41.8	1989.4	10200	11300	12400				
	28.00	10.59	143.92	187.71		56.3	60.7	2891.0	11900	13200	14500				
						61.2	68.3	3253.6	12800	14200	15600				
						63.5	72.1	3430.0							
						70.0	83.5	3978.8	14200	15700	17200				
						75.8	94.9	4517.8	15500	17200	18900				
						50.5	47.6	2244.2	12400	13700	15000				
32.00	12.07	140.97	187.71	71.1	69.2	3263.4	15100	16700	18300						
				78.0	77.8	3675.0	16400	18200	20000						
				81.4	82.2	3871.0									
				91.1	95.1	4488.4	18100	20100	22100						
				100.2	108.1	5096.0	19900	22100	24300						



续表 2 HSM-2 套管性能参数 Technical data of HSM-2 for Casing
Table 2 (continued)

1	2	3	4	5	6	7	8	9	10	11	12	13
外径 OD In inch and mm	名义 重量 Weight lb/ft.	钢级 Grade KSI	壁厚 W.t mm	通径 Drift D mm	上扣损 失 Make-up Loss mm	接箍 外径 C.O.D mm	抗挤强 度 Collapse Mpa	最小内 屈服强 度 Internal P Mpa	管体 屈服 强度 Pipe Y kN	上扣扭矩 Torque 最小 最佳 最大 Min Opti Max N-m		
7" 177.8 mm	23.00	55	8.05	158.52	123.85	194.46	22.5	30.0	1626.8	8000	8800	9600
		80					26.4	43.7	2361.8	9800	10800	11800
		90					27.8	49.2	2665.6	10700	11800	12900
		95					28.6	51.9	2812.6			
		110					30.6	60.1	3253.6	11900	13200	14500
		125					32.0	68.3	3694.6	12800	14200	15600
	26.00	55	9.19	156.24		194.46	29.8	34.3	1842.4	8900	9800	10700
		80					37.3	49.9	2685.2	10700	11800	12900
		90					39.5	56.1	3018.4	11600	12800	14000
		95					40.5	59.2	3185.0			
		110					42.9	68.6	3684.8	12800	14200	15600
		125					44.4	78.0	4194.4	13700	15200	16700
	29.00	55	10.36	153.90		194.46	37.3	38.7	2068.4	10200	11300	12400
		80					48.5	56.3	3007.0	11900	13200	14500
		90					52.3	63.3	3380.6	12800	14200	15600
		95					54.1	66.8	3571.9			
		110					58.8	77.4	4132.4	14600	16200	17800
		125					62.8	87.9	4697.3	15500	17200	18900
	32.00	55	11.51	151.60		196.0	44.5	43.0	2277.5	11900	13200	14500
		80					59.4	62.5	3313.9	14200	15700	17200
		90					64.6	70.3	3732.1	15500	17200	18900
		95					67.2	74.2	3936.7			
		110					74.3	85.9	4559.4	17200	19100	21000
		125					80.7	97.6	5182.2	18600	20600	22600
	35.00	55	12.65	149.32		197.8	50.1	47.2	2214.8	13700	15200	16700
		80					70.2	68.7	3224.2	16800	18600	20400
		90					77.0	77.3	3626.0	19000	21100	23200
		95					80.3	81.6	3831.8			
		110					89.9	94.4	4429.6	20800	23100	25400
		125					98.7	107.3	5037.2	22500	25000	27500
	38.00	55	13.72	147.18		199.5	54.0	51.2	2214.8	16000	17700	19400
		80					78.6	74.5	3224.2	19500	21600	23700
		90					88.4	83.8	3626.0	21600	24000	26400
		95					92.7	88.5	3831.8			
		110					104.4	102.4	4429.6	23400	26000	28600
		125					115.5	116.4	5037.2	26100	28900	31700
41.00	55	14.99	144.56	201.40	58.5	55.9	2214.8	18100	20100	22100		
	80				85.1	81.3	3224.2	22500	25000	27500		
	90				95.8	91.5	3626.0	25200	28000	30800		
	95				101.1	96.6	3831.8					
	110				117.0	111.8	4429.6	27000	29900	32800		
	125				133.0	127.1	5037.2	28800	31900	35000		



续表 2 HSM-2 套管性能参数 Technical data of HSM-2 for Casing

Table 2 (continued)

1	2	3	4	5	6	7	8	9	10	11 12 13		
外径 OD In inch and mm	名义 重量 Weight lb/ft.	钢级 Grade KSI	壁厚 W.t mm	通径 Drift D mm	上扣损 失 Make-up Loss mm	接箍 外径 C.O.D mm	抗挤强 度 Collapse Mpa	最小内 屈服强 度 Internal P Mpa	管体 屈服 强度 Pipe Y kN	上扣扭矩 Torque 最小 最佳 最大 Min Opti Max N-m		
7-5/8" 193.7 mm	26.40	55	8.33	173.84	126.20	215.90	20.0	28.5	1842.4	9300	10300	11300
		80					23.5	41.5	2675.4	11600	12800	14000
		90					24.9	46.7	3008.6	12800	14200	15600
		95					25.6	49.3	3175.2			
		110					27.0	57.1	3675.0	14600	16200	17800
		125					27.9	64.9	4174.8	16000	17700	19400
	29.70	55	9.52	171.46		215.90	26.9	32.6	2087.4	10200	11300	12400
		80					33.0	47.4	3038.0	11900	13200	14500
		90					34.6	53.4	3420.2	13700	15200	16700
		95					35.3	56.3	3606.4			
		110					36.8	65.2	4174.8	15500	17200	18900
		125					39.1	74.1	4743.2	16400	18200	20000
	33.70	55	10.92	168.66		215.90	35.1	37.4	2371.6	11100	12300	13500
		80					45.2	54.4	3459.4	12800	14200	15600
		90					48.6	61.2	3890.6	14600	16200	17800
		95					50.1	64.6	4106.2			
		110					54.2	74.8	4753.0	16400	18200	20000
		125					57.5	85.0	5399.8	17200	19100	21000
	35.80	55	11.81	166.83		215.90	40.4	40.5	2557.8	12800	14200	15600
		80					53.0	58.9	3714.2	15500	17200	18900
		90					57.5	66.2	4184.6	17200	19100	21000
		95					59.6	69.9	4419.8			
		110					65.4	81.0	5115.6	19000	21100	23200
		125					70.4	92.0	5811.4	20800	23100	25400
	39.00	55	12.70	165.10		215.90	45.5	43.5	2734.2	14600	16200	17800
		80					60.8	63.3	3978.8	18100	20100	22100
		90					66.3	71.2	4478.6	19900	22100	24300
		95					68.9	75.2	4723.6			
		110					76.4	87.0	5468.4	22500	25000	27500
		125					83.2	98.9	6223.0	25200	28000	30800
	42.80	55	14.27	161.96		216.5	51.8	48.9	3047.8	19000	21100	23200
		80					74.5	71.1	4429.6	23400	26000	28600
		90					81.9	80.0	4988.2	26100	28900	31700
		95					85.5	84.5	5262.6			
		110					96.0	97.8	6095.6	28800	31900	35000
		125					105.8	111.1	6928.6	28800	31900	35000
	45.30	55	15.11	160.28		217.6	54.6	51.8	3155.6	20800	23100	25400
		80					79.4	75.3	1586.4	26100	28900	31700
		90					89.3	84.7	5164.6	28800	31900	35000
		95					94.2	89.4	5448.8			
		110					106.4	103.5	6311.2	28800	31900	35000
		125					117.9	117.7	7163.8	28800	31900	35000
	47.10	55	15.87	158.76		218.8	57.1	54.4	3155.6	22500	25000	27500
		80					83.0	79.1	1586.4	27900	30900	33900
		90					93.4	89.0	5164.6	28800	31900	35000
		95					98.5	93.9	5448.8			
		110					114.1	108.8	6311.2	28800	31900	35000
		125					128.8	123.6	7163.8	28800	31900	35000



续表 2 HSM-2 套管性能参数 Technical data of HSM-2 for Casing
Table 2 (continued)

1	2	3	4	5	6	7	8	9	10	11	12	13
外径 OD In inch and mm	名义 重量 Weight lb/ft.	钢级 Grade KSI	壁厚 Wt mm	通径 Drift D mm	上扣损 失 Make-up Loss mm	接箍 外径 C.O.D mm	抗挤强 度 Collapse Mpa	最小内 屈服强 度 Internal P Mpa	管体 屈服 强度 Pipe Y kN	上扣扭矩 Torque 最小 最佳 最大 Min Opti Max N-m		
8-5/8" 219.1 mm	36.00	55	10.16	195.58	145.50	244.48	23.8	30.8	2528.4	10200	11300	12400
		80					28.3	44.8	3675.0	11600	12800	14000
		90					12800	14200	15600	29.3	50.4	4135.6
		95								30.1	53.2	4361.0
		110					32.3	61.6	5056.8	13700	15200	16700
		125					34.0	69.9	5742.8	14600	16200	17800
	40.00	55	11.43	193.04		30.3	34.6	2822.4	12800	14200	15600	
		80				38.1	50.4	4106.2	15500	17200	18900	
		90				17200	19100	21000	40.5	56.7	4625.6	
		95							41.5	59.8	4880.4	
		110				44.1	69.2	5654.6	19000	21100	23200	
		125				45.7	78.7	6419.0	20800	23100	25400	
	44.00	55	12.70	190.50		36.9	38.5	3116.4	16400	18200	20000	
		80				47.9	56.0	4537.4	20800	23100	25400	
		90				22500	25000	27500	51.6	63.0	5105.8	
		95							53.4	66.4	5390.0	
		110				58.1	76.9	6242.6	25200	28000	30800	
		125				61.9	87.4	7095.2	27000	29900	32800	
	49.00	55	14.15	187.60		44.4	42.9	3449.6	20800	23100	25400	
		80				59.1	62.3	5017.6	26100	28900	31700	
		90				27900	30900	33900	64.4	70.1	5644.8	
		95							66.9	74.0	5958.4	
		110				74.0	85.7	6909.0	28800	31900	35000	
		125				80.4	97.4	7849.8	28800	31900	35000	
	52.00	55	15.11	185.68		48.7	45.8	3665.2	23400	26000	28600	
		80				66.6	66.6	5341.0	28800	31900	35000	
		90				28800	31900	35000	72.8	74.9	6007.4	
		95							75.9	79.1	6340.6	
110		84.6			91.5	7340.2	28800	31900	35000			
125		92.6			104.0	8339.8	28800	31900	35000			



续表 2 HSM-2 套管性能参数 Technical data of HSM-2 for Casing
Table 2 (continued)

1	2	3	4	5	6	7	8	9	10	11 12 13		
外径 OD In inch and mm	名义 重量 Weight lb/ft.	钢级 Grade KSI	壁厚 W.t mm	通径 Drift D mm	上扣损 失 Make-up Loss mm	接箍 外径 C O.D mm	抗挤 强度 Collapse Mpa	最小内 屈服强 度 Internal P Mpa	管体屈 服强度 Pipe Y kN	上扣扭矩 Torque 最小 最佳 最大 Min Opti Max N-m		
9-5/8" 244.5 mm	40.00	55	10.03	220.45	145.15	269.88	17.7	27.2	2802.8	10200	11300	12400
		80					21.3	39.6	4076.8	11900	13200	14500
		90					22.4	44.6	4576.6	12800	14200	15600
		95					23.0	47.0	4831.4			
		110					23.9	54.5	5595.8	14600	16200	17800
		125					24.3	61.9	6360.2	15500	17200	18900
	43.50	55	11.05	218.41		269.88	22.4	30.0	3073.7	13700	15200	16700
		80					26.3	43.7	4470.5	16400	18200	20000
		90					27.7	49.1	5026.5	18100	20100	22100
		95					28.5	51.8	5306.7			
		110					30.4	60.0	6143.0	19900	22100	24300
		125					31.9	68.2	6983.7	21600	24000	26400
	47.00	55	11.99	216.53		269.88	26.8	32.5	3322.2	16400	18200	20000
		80					32.8	47.3	4831.4	19900	22100	24300
		90					34.4	53.3	5429.2	21600	24000	26400
		95					35.1	56.2	5733.0			
		110					36.5	65.1	6634.6	25200	28000	30800
		125					38.9	74.0	7546.0	27000	29900	32800
	53.50	55	13.84	212.83		269.88	35.4	37.6	3802.4	22500	25000	27500
		80					45.6	54.6	5527.2	28800	31900	35000
		90					49.0	61.5	6223.0	28800	31900	35000
		95					50.6	64.9	6566.0			
		110					54.8	75.1	7604.8	28800	31900	35000
		125					58.1	85.4	8633.8	28800	31900	35000
	58.40	55	15.11	210.29		269.88	41.3	41.0	4125.8	27000	29900	32800
		80					54.4	59.7	5997.6	28800	31900	35000
		90					59.0	67.1	6752.2	28800	31900	35000
		95					61.2	70.8	7124.6			
110		67.3			82.0		8251.6	28800	31900	35000		
125		72.6			93.2		9378.6	28800	31900	35000		



续表 2 HSM-2 套管性能参数 Technical data of HSM-2 for Casing
 Table 2 (continued)

1	2	3	4	5	6	7	8	9	10	11	12	13
外径 OD In inch and mm	名义 重量 Weight lb/ft.	钢级 Grade KSI	壁厚 W.t mm	通径 Drift D mm	上扣损 失 Make-up Loss mm	接箍 外径 C.O.D mm	抗挤 强度 Collapse Mpa	最小内 屈服强 度 Internal P Mpa	管体屈 服强度 Pipe Y kN	上扣扭矩 Torque 最小 最佳 最大 Min Opti Max N-m		
9-7/8" 250.8 mm	62.80	55	15.88	215.11	142.45	281.0	43.0	42.0	4444	28800	31900	35000
		80					57.0	61.0	6463	28800	31900	35000
		90					62.0	69.0	7273	28800	31900	35000
		95					64.0	72.0	7673			
		110					71.0	84.0	8888	28800	31900	35000
		125					77.0	95.0	10097	28800	31900	35000
	66.40	55	16.79	213.28		281.0	47.0	44.0	4681	28800	31900	35000
		80					63.0	65.0	6809	28800	31900	35000
		90					69.0	72.0	7660	28800	31900	35000
		95					72.0	77.0	8087			
		110					80.0	89.0	9362	28800	31900	35000
		125					87.0	101.0	10639	28800	31900	35000
	66.90	55	16.97	212.93		281.0	48.0	45.0	4727	28800	31900	35000
		80					64.0	65.0	6876	28800	31900	35000
		90					70.0	73.0	7735			
		95					73.0	77.0	8165	28800	31900	35000
		110					81.0	90.0	9452	28800	31900	35000
		125					89.0	102.0	10742	28800	31900	35000
	67.50	55	17.22	212.42		281.0	49.0	45.0	4791	31400	34800	38200
		80					66.0	66.0	6970	31400	34800	38200
		90					72.0	74.0	7842	31400	34800	38200
		95					75.0	78.0	8278			
		110					84.0	91.0	9585	31400	34800	38200
		125					92.0	103.0	10892	31400	34800	38200
	68.90	55	17.78	211.30		281.0	50.0	47.0	4936	34100	37800	41500
		80					70.0	68.0	7179	34100	37800	41500
		90					77.0	77.0	8078	34100	37800	41500
		95					80.0	81.0	8526			
		110					89.0	94.0	9871	34100	37800	41500
		125					98.0	107.0	11218	34100	37800	41500
70.50	55	18.29	210.29	281.0	51.0	48.0	5066	37100	41200	45300		
	80				73.0	70.0	7369	37100	41200	45300		
	90				81.0	79.0	8290	37100	41200	45300		
	95				84.0	83.0	8750					
	110				94.0	96.0	10133	37100	41200	45300		
	125				104.0	110.0	11514	37100	41200	45300		
72.00	55	18.42	210.03	281.0	52.0	49.0	5097	37100	41200	45300		
	80				74.0	71.0	7415	37100	41200	45300		
	90				81.0	80.0	8344	37100	41200	45300		
	95				85.0	84.0	8807					
	110				95.0	97.0	10199	37100	41200	45300		
	125				105.0	111.0	11587	37100	41200	45300		



续表 2 HSM-2 套管性能参数 Technical data of HSM-2 for Casing
Table 2 (continued)

1	2	3	4	5	6	7	8	9	10	11 12 13		
外径 OD In inch and mm	名义 重量 Weight lb/ft.	钢级 Grade KSI	壁厚 W.t mm	通径 Drift D mm	上扣损 失 Make-up Loss mm	接箍外 径 C.O.D mm	抗挤 强度 Collapse Mpa	最小内 屈服强 度 Internal P Mpa	管体屈 服强度 Pipe Y kN	上扣扭矩 Torque 最小 最佳 最大 Min Opti Max N-m		
10-3/4" 273.05 mm	45.50	55	10.16	250.83	146.30	298.45	14.4	24.7	3175.2	11100	12300	13500
		80					17.1	35.9	4625.6	13700	15200	16700
		90					17.7	40.4	5203.8	14600	16200	17800
		95					17.9	42.7	5488.0			
		110					18.0	49.4	6360.2	16400	18200	20000
		125					18.0	56.1	7222.6	18100	20100	22100
	51.00	55	11.43	246.23		298.45	22.4	30.0	3067.4	15500	17200	18900
		80					26.3	43.6	4468.8	19900	22100	24300
		90					27.7	49.1	5027.4	21600	24000	26400
		95					28.5	51.8	5301.8			
		110					30.5	60.0	5164.6	24300	27000	29700
		125					31.9	68.2	6977.6	27000	29900	32800
	55.50	55	12.57	244.48		298.45	26.8	32.5	3322.2	19900	22100	24300
		80					32.8	47.3	4831.4	25200	28000	30800
		90					34.4	53.3	5429.2	28800	31900	35000
		95					35.1	56.2	5733.0			
		110					36.5	65.1	6634.6	28800	31900	35000
		125					38.9	74.0	7546.0	28800	31900	35000
	60.70	55	13.84	241.40		298.45	35.4	37.6	3802.4	25200	28000	30800
		80					45.6	54.6	5527.2	28800	31900	35000
		90					49.0	61.5	6223.0	28800	31900	35000
		95					50.6	64.9	6566.0			
		110					54.8	75.1	7604.8	28800	31900	35000
		125					58.1	85.4	8633.8	28800	31900	35000
65.70	55	15.11	238.86	298.45	41.3	41.0	4125.8	28800	31900	35000		
	80				54.4	59.7	5997.6	28800	31900	35000		
	90				59.0	67.1	6752.2	28800	31900	35000		
	95				61.2	70.8	7124.6					
	110				67.3	82.0	8251.6	28800	31900	35000		
	125				72.6	93.2	9378.6	28800	31900	35000		



续表 2 HSM-2 套管性能参数 Technical data of HSM-2 for Casing
 Table 2 (continued)

1	2	3	4	5	6	7	8	9	10	11	12	13
外径 OD In inch and mm	名义 重量 Weight lb/ft.	钢级 Grade KSI	壁厚 W.t mm	通径 Drift D mm	上扣损 失 Make-up Loss mm	接箍外 径 C.O.D mm	抗挤 强度 Collapse Mpa	最小内 屈服强 度 Internal P Mpa	管体屈 服强度 Pipe Y kN	上扣扭矩 Torque 最小 最佳 最大 Min Opti Max N-m		
11-3/4" 298.45 mm	54.00	55	11.05	272.39	148.30	323.85	14.3	24.6	3782.8	15500	17200	18900
		80					16.9	35.7	5497.8	19000	21100	23200
		90					17.4	40.2	6183.8	20800	23100	25400
		110					17.6	42.4	6526.8			
		125					17.7	49.1	7565.6	23400	26000	28600
		125					17.7	55.8	8594.6	26100	28900	31700
	60.00	55	12.42	269.88		323.85	18.4	27.6	4233.6	20800	23100	25400
		80					21.9	40.2	6154.4	27000	29900	32800
		90					23.2	45.2	6918.8	28800	31900	35000
		110					23.7	47.7	7301.0			
		125					24.9	55.2	8457.4	28800	31900	35000
		125					25.4	62.8	9613.8	28800	31900	35000
	65.00	55	13.56	269.88		323.85	22.7	30.2	4596.2	26100	28900	31700
		80					26.7	43.9	6693.4	28800	31900	35000
		90					27.9	49.3	7526.4	28800	31900	35000
		110					28.8	52.1	7947.8			
		125					30.8	60.3	9202.2	28800	31900	35000
		125					32.3	68.5	10456.6	28800	31900	35000
	71.00	55	14.78	264.92		323.85	27.4	32.9	4995.4	28800	31900	35000
		80					33.6	47.8	7268.4	28800	31900	35000
		90					35.4	53.8	8175.8	28800	31900	35000
		110					36.1	56.7	8629.5			
		125					37.7	65.7	9990.7	28800	31900	35000
		125					39.7	74.7	11356.3	28800	31900	35000



续表 2 HSM-2 套管性能参数 Technical data of HSM-2 for Casing
 Table 2 (continued)

1	2	3	4	5	6	7	8	9	10	11 12 13			
外径 OD In inch and mm	名义 重量 Weight lb/ft.	钢级 Grade KSI	壁厚 W.t mm	通径 Drift D mm	上扣损 失 Make-up Loss mm	接箍 外径 C.O.D mm	抗挤 强度 Collapse Mpa	最小内 屈服强 度 Internal P Mpa	管体屈 服强度 Pipe Y kN	上扣扭矩 Torque 最小 最佳 最大 Min Opti Max N-m			
13-3/8" 339.7 mm	61.00	55	10.92	313.92	147.90	365.12	10.6	21.3	4272.8	16400	18200	20000	
		80					11.5	31.0	6213.2	20800	23100	25400	
		90					11.5	34.9	6997.2	23400	26000	28600	
		95					11.5	36.8	7379.4				
		110					11.5	42.7	8545.6	26100	28900	31700	
		125					11.5	48.5	9711.8	28800	31900	35000	
	68.00	12.19	55	12.19		311.38	365.12	13.4	23.8	4755.1	23400	26000	28600
			80					15.6	34.6	6921.4	28800	31900	35000
			90					16.0	39.0	7784.4	28800	31900	35000
			95					16.1	41.2	8215.9			
			110					16.1	47.6	9514.7	28800	31900	35000
			125					16.1	54.1	10813.6	28800	31900	35000
	72.00	13.06	55	13.06		309.64	365.12	15.3	25.5	5076.4	27000	29900	32800
			80					18.4	37.1	7389.2	28800	31900	35000
			90					19.2	41.7	8310.4	28800	31900	35000
			95					19.5	44.1	8771.0			
			110					19.9	51.0	10162.6	28800	31900	35000
			125					19.9	58.0	11544.4	28800	31900	35000
	77.00	13.97	55	13.97		307.82	365.12	17.8	27.3	5419.4	28800	31900	35000
			80					21.4	39.7	7879.2	28800	31900	35000
			90					22.6	44.7	8869.0	28800	31900	35000
			95					23.1	47.1	9359.0	28800	31900	35000
			110					24.1	54.6	10838.8	28800	31900	35000
			125					24.5	62.0	12308.8	28800	31900	35000
	80.70	14.73	55	14.73		306.30	365.12	20.3	28.8	5703.6	28800	31900	35000
			80					23.8	41.9	8290.8	28800	31900	35000
			90					25.4	47.1	9329.6	28800	31900	35000
			95					26.1	49.7	9839.2	28800	31900	35000
			110					27.6	57.5	11397.4	28800	31900	35000
			125					28.5	65.4	12955.6	28800	31900	35000
	85.00	15.44	55	15.44		304.88	365.75	22.7	30.2	5958.4	28800	31900	35000
			80					26.7	43.9	8673.0	28800	31900	35000
			90					28.0	49.4	9751.0	28800	31900	35000
			95					28.8	52.1	10299.8	28800	31900	35000
			110					30.9	60.3	11926.6	28800	31900	35000
			125					32.3	68.5	13543.6	28800	31900	35000
86.00	15.88	55	15.88	304.00	366.50	24.2	31.0	6105.4	28800	31900	35000		
		80				28.9	45.1	8330.0	28800	31900	35000		
		90				30.0	50.8	9986.2	28800	31900	35000		
		95				30.6	53.6	10544.8	28800	31900	35000		
		110				32.9	62.0	12210.8	28800	31900	35000		
		125				34.7	70.5	13876.8	28800	31900	35000		